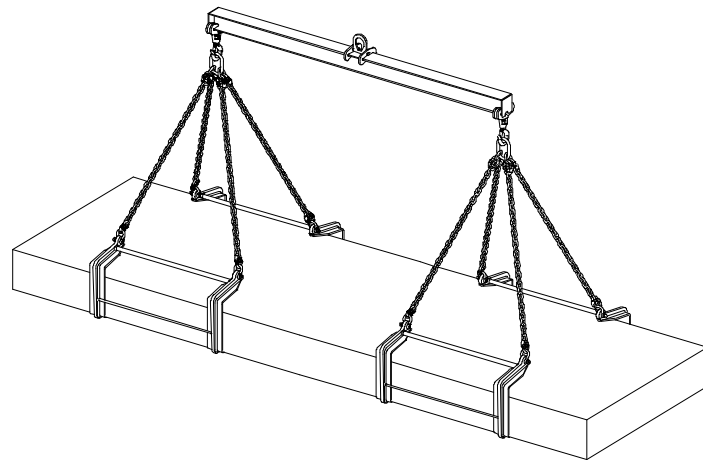
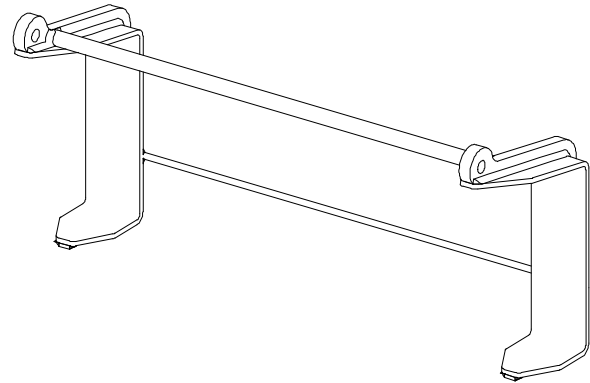
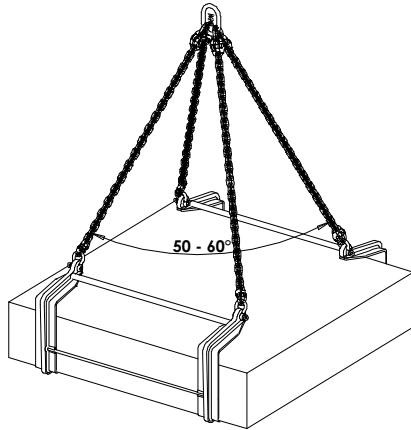


**Applications**

Lifting of horizontal plates or sheets (individual or bundles).



**Description**

These double hooks avoid the use of a lifting beam. Their large bearing surface permits to reduce plate bending. Handling loads up to 300 mm thickness is possible thanks to the wide opening. Slings not provided.

**Functioning**

Use in pairs with a 4-legged sling.

Place the load into the hooks, distributing the latters evenly and perform lifting.

**Important instructions**

- The load must always be driven home into the throat of the hooks.
- Adhere to a sling angle included between 50° and 60° (ie ½ sling angle included between 25° and 30°).
- Do not separate sheets with the hooks' end.
- According to the load's length and weight, provide 1 or more pair(s) of hooks to perform lifting.
- Working temperatures: -20° to +100°C.

**General characteristics**

- Manufactured without load bearing welds.
- Hot epoxy coating.
- Safety factor: 3 in accordance with the EN 13155.2003 norm.
- Product conforms to the French regulation, in particular the decree of 01/03/2004 relating to the check on lifting devices and the European Directive n°2006/42/CE.
- Product with EC marking and delivered with a declaration of conformity and instructions for use.

**Dimensional characteristics**

HR shackles to be used	Ref.	Group code	WLL/ pair kg	Opening	A	B	C	E	F	G	H	I	J	K	Sling angle		Min chain* Ø	Weight/ pair kg
															min	max		
3t25	QR3 0-300	50648	3 000	300	279	20	387	128	22	22	20	100	20	800	50°	60°	8	36
3t25	QR6 0-300	50658	6 000	300	305	20	410	120	40	40	20	100	20	800	50°	60°	10	46
4t75	QR12 0-300	50668	12 000	300	380	25	410	120	50	50	26	100	25	800	50°	60°	16	115

\* provide a 4-legged chain sling grade 80 per pair of hooks

Dimensions in mm

