

**B L A C K L I N E**

**SWF**  
KRANTECHNIK

J U S T P O W E R

S I M P L Y S A F E

**„THIS IS WHAT OUR  
ENGINEERS HAD IN MIND  
WHEN THEY DEVELOPED  
THE BLACKLINE.“**



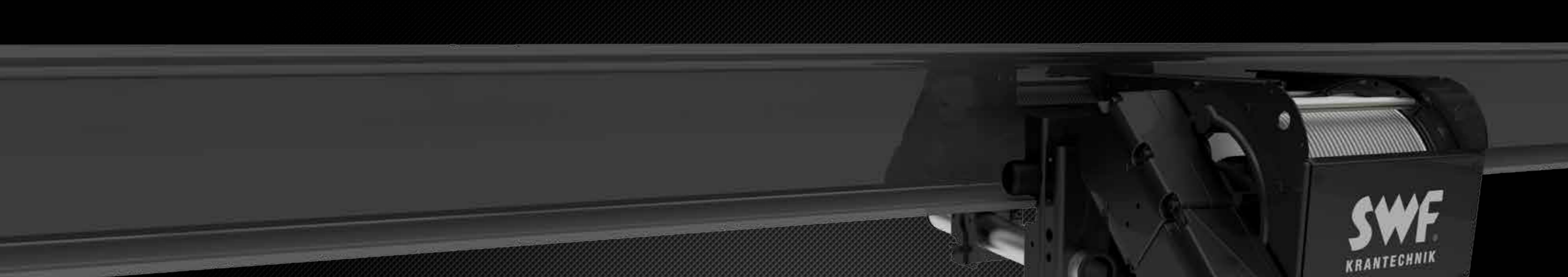
## **BLACKLINE**

Sometimes performance only comes up if you are focused on the basics.

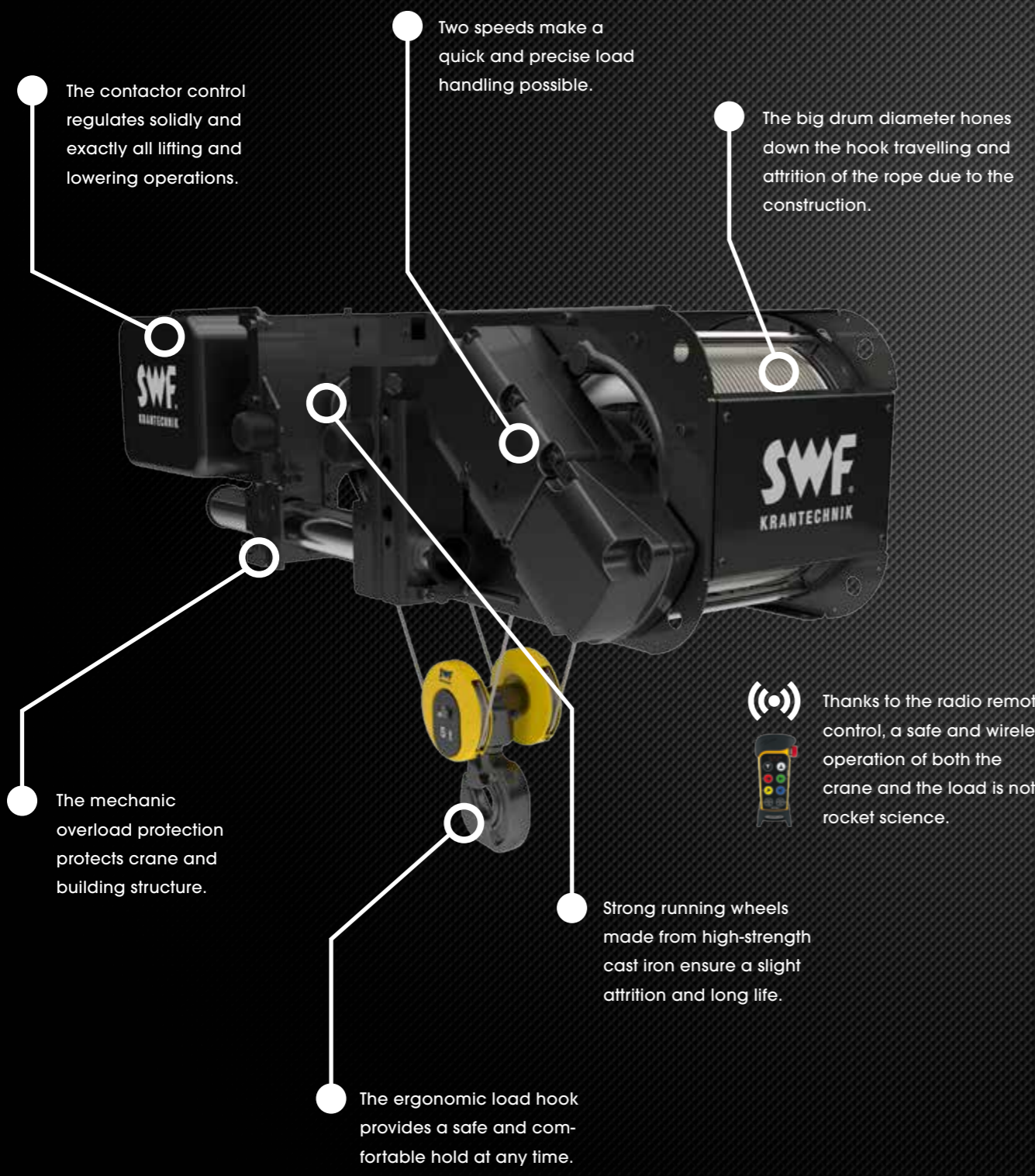
This is exactly the idea which is behind the **BLACKLINE** by SWF Krantechnik.

A vast number of established and top-rated components arisen from the own engineering design with outstanding technologies are assigned for power and a long life. All components and products made from this meet the European safety standards. Furthermore, you can trust the experience and know-how of a worldwide operating company in a German tradition.

The **BLACKLINE** by SWF Krantechnik sets its priorities on a high quality and attractive cost effectiveness. Reliable power and an elaborate technology make the **BLACKLINE** unique for all who want to avoid bigger investments in a high-quality crane.



**SWF**  
KRANTECHNIK



The contactor control regulates solidly and exactly all lifting and lowering operations.

Two speeds make a quick and precise load handling possible.

The big drum diameter hones down the hook travelling and attrition of the rope due to the construction.

The mechanic overload protection protects crane and building structure.

The ergonomic load hook provides a safe and comfortable hold at any time.

Thanks to the radio remote control, a safe and wireless operation of both the crane and the load is not rocket science.

Strong running wheels made from high-strength cast iron ensure a slight attrition and long life.

## NOVA BLACKLINE

The **NOVA BLACKLINE** is constructed for the economic lifting of charges. It is safe, reliable and based on a proven technological design. It combines a strong hoist with an attractive price.

High quality, long life and performance are the **NOVA BLACKLINE**'s genetic basis. It covers a wide spectrum of load handling with an ultimate load of 12.5 tons. The **NOVA BLACKLINE** is an uncompromising and robust powerhouse, reduced to the essentials.

**NOVA BLACKLINE - JUST POWER, SIMPLY SAFE**



**SWF**

# NOVA BLACKLINE

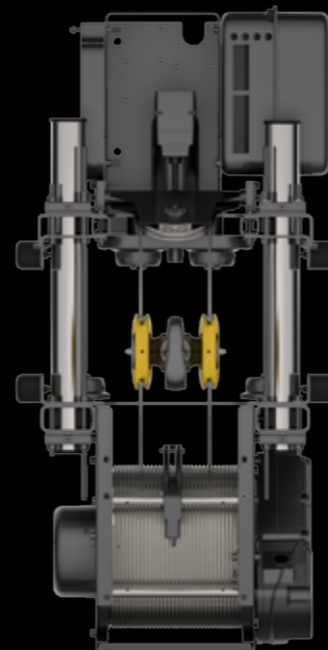
The **NOVA BLACKLINE** meets the high demands of a SWF hoist in safety, quality and reliability.

The crane construction based on the essentials provides a robust and hardwearing technology for an attractive price.

The **NOVA BLACKLINE** offers an easy handling in installation and maintenance.

Its fine electric wire rope hoist also meets the high European safety standards.

- ✓ **Ultimate load from 2 to 12.5 tons and a lifting height up to 12 meters**
- ✓ **Optimal space and land utilization due to compact headroom and optimum hook dimension**
- ✓ **Minimized attrition of rope by a big drum diameter**
- ✓ **Robust contactor control for hoist motor and trolley motor**
- ✓ **Mechanical overload protection protects crane and building structure**
- ✓ **Plug & play - quick and easy installation and maintenance**
- ✓ **Overheat protection at hoist motor prevents his damage**



Typ	Load (kg)	FEM	ISO	Lifting height (m)	Lifting speed (m/min)	Trolley speed (m/min)
NOVA BB	2,000	2m	M5	6	5/0.8	20/5
NOVA BB	2,000	2m	M5	9.5	5/0.8	20/5
NOVA BB	2,500	3m	M6	6	5/0.8	20/5
NOVA BB	2,500	3m	M6	9.5	5/0.8	20/5
NOVA BB	3,200	2m	M5	6	5/0.8	20/5
NOVA BB	3,200	2m	M5	9.5	5/0.8	20/5
NOVA BC	4,000	3m	M6	6	5/0.8	20/5
NOVA BC	4,000	3m	M6	9	5/0.8	20/5
NOVA BC	5,000	2m	M5	6	5/0.8	20/5
NOVA BC	5,000	2m	M5	9	5/0.8	20/5
NOVA BC	6,300	1Am	M4	6	4/0.7	20/5
NOVA BC	6,300	1Am	M4	9	4/0.7	20/5
NOVA BD	8,000	3m	M6	9	5/0.8	20/5
NOVA BD	8,000	3m	M6	12	5/0.8	20/5
NOVA BD	10,000	2m	M5	9	5/0.8	20/5
NOVA BD	10,000	2m	M5	12	5/0.8	20/5
NOVA BD	12,500	1Am	M4	9	4/0.7	24/6
NOVA BD	12,500	1Am	M4	12	4/0.7	24/6

**„OUR CUSTOMERS  
DO HAVE CERTAIN  
EXPECTATIONS.“**



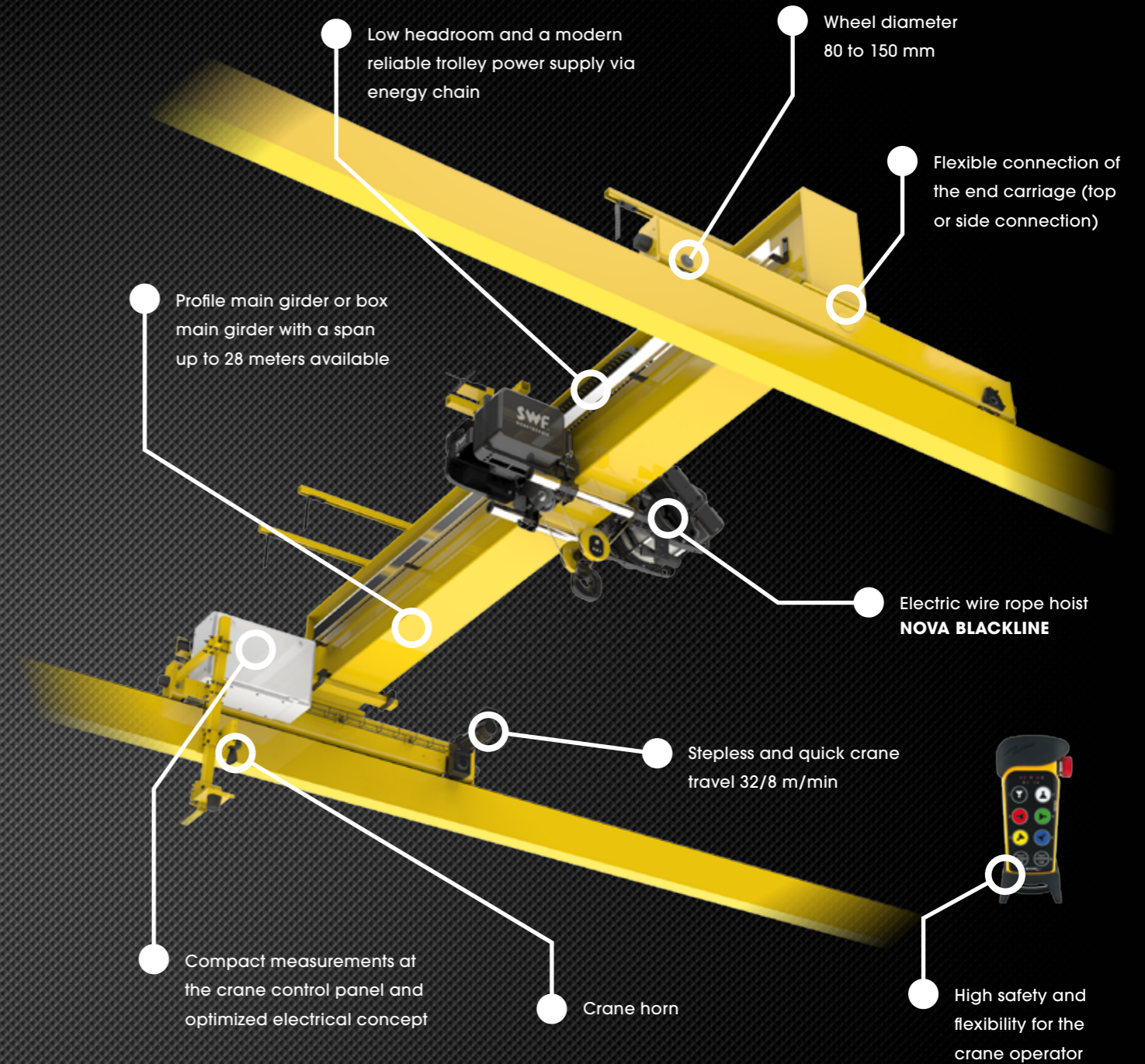


## CraneKit BLACKLINE

Our **CraneKit BLACKLINE** and **NOVA BLACKLINE** combine power with maximum economic efficiency. Many approved and well-matched components engage each other perfectly and offer in this way: safety, reliability and cost-optimised solutions for numerous standard applications.

Even the crane operator gets the best protection and accommodation due to the serial radio remote control. All in all our **BLACKLINE** is an all-round carefree package for easy tasks of load handling.

- ✓ **Profile main girder or box main girder with adjustable connectivity options at the end carriages**
- ✓ **Optimised electrical concept, prewired**
- ✓ **Reduced work of assembling because of less working steps**
- ✓ **Trolley power supply with energy chain, minimized headroom compared with flat cable**
- ✓ **Radio remote control with two transmitters, receiver with magnets at the control panel**
- ✓ **Up to 12.5 t load, up to 28 m span**
- ✓ **Crane travelling, stepless, 32/8 m/min**



## Options

- Hook operated limit switch
- Visual and acoustic alarm in case of overload
- Trolley limit switch, 2-step
- Anti-Collision device for crane bridge
- Crane horn
- Warning light (radio remote control active)
- Rechargeable batteries with battery charger for the radio remote control
- Storage cabinet for transmitter
- Radio remote control RadioMaster3
- Back-up pendant, tethered at the control panel
- Buffer extensions for crane end carriages
- Anti-jump catches for crane end carriages



# CraneKit BLACKLINE

The **BLACKLINE** idea sets its focus on a construction, which is made for daily work perfectly. There weren't made savings in the wrong place here. Power, quality and safety rank first, simply real SWF.



Configuration and assembling



Control panel with receiver



Energy chain



CraneKit

For a number of standard applications at hoisting and displacing loads **BLACKLINE** is the safest, most cost-optimised and reliable solution. The narrow configuration frame makes a quick assembly and a darndest compatibility for all components possible.

The work of assembly is minimized by a reduced number of necessary work steps. Especially the optimized and prewired electrical concept in detail has proved a recipe for an easy and relieved first operation of the **BLACKLINE**.

The proven, electrical components of the **BLACKLINE** are stored in the control panel which is installed sideways at the end carriage. Due to compact measurements the headroom of the crane is not affected by this construction.

Moreover there was realized a simplified electrical concept. The receiver of the radio remote control can be fixed by powerful magnets at the outer control panel. The pluggable connections contribute to a quick first operation and easy maintenance.

The **BLACKLINE** offers a power supply by means of a modern and contemporary energy chain. Therefore a long-life protection and a perfect cable routing is secured. A minimized number of screws and components allow a quick assembly.

Directly compared with the classical trailing cable the robust power supply diminishes the attrition and offers also an ideal protection against mechanic damage. While driving the crane one doesn't have to take into account suspended cable loops.

Our **CraneKit BLACKLINE** with the related electric wire rope hoist **NOVA BLACKLINE** is a product that shows a perfect functional interaction, factory-provided. All components are well-conceived and provide always a safe crane operation.

The high claim of SWF Krantechnik is also reflected by the accuracy of fit and the manufacturing of quality of each component, for example, the end carriage, the motor or other electrical components of the **NOVA** and the **CraneKit BLACKLINE**.

**„WE KNOW ONE THING:  
OUR POWER IS THE WAY  
OUR CUSTOMERS LIKE  
DRIVING ALONG!“**



## TeleRadio radio remote control

The radio remote control TeleRadio offers the possibility to drive loads from a safe distance. The safety of the crane operator ranks first. You get the **BLACKLINE** with two transmitters, which belong to the standard equipment. Thereby the **BLACKLINE** is perfectly forearmed for a reliable and permanent control of loads.

The European manufactured steering is enabled by a set of standard batteries with a functional duration up to 100 hours. Optionally, you can also get rechargeable batteries and a corresponding battery charger.

The receiver can be fixed at the crane control panel by powerful magnets easily. In addition to that, pluggable electric connections provide a quick and relieved operation.

- ✓ **Driving loads from a distance raises the safety of the crane operator**
- ✓ **Serial equipment with two transmitters and a receiver**
- ✓ **With eight 2-step push-buttons and sixteen selectable channels**
- ✓ **Standard batteries (3x1.5 V AAA / LR03) with a functional duration of up to 100 hours (optional rechargeable batteries)**
- ✓ **Up to 300 meters in free space**
- ✓ **Easy assembly of the receiver at the crane control panel (magnetic)**



J U S T P O W E R

S I M P L Y S A F E

