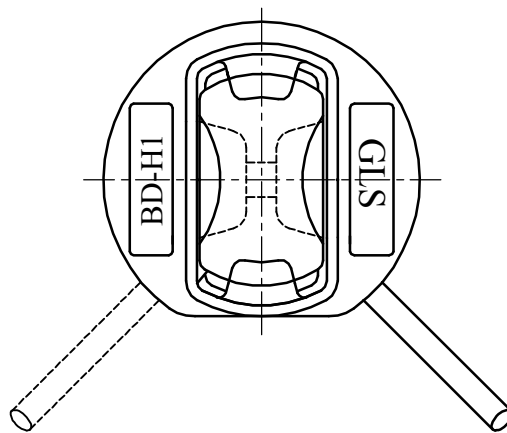
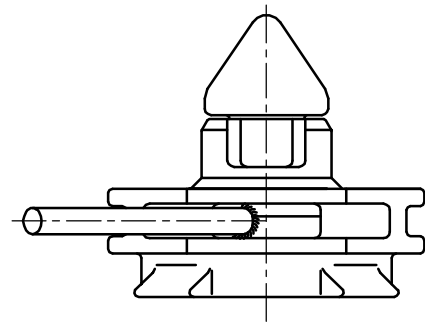
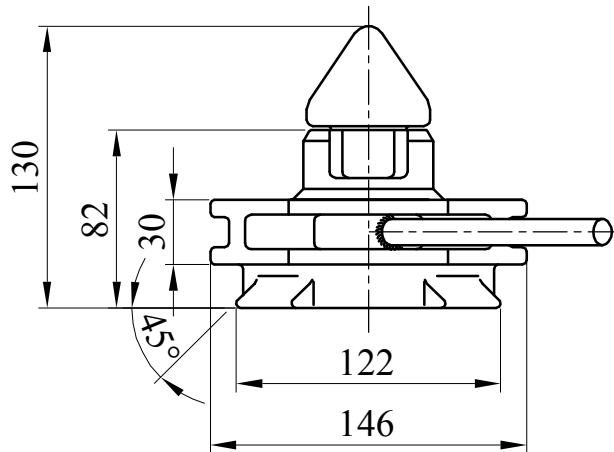
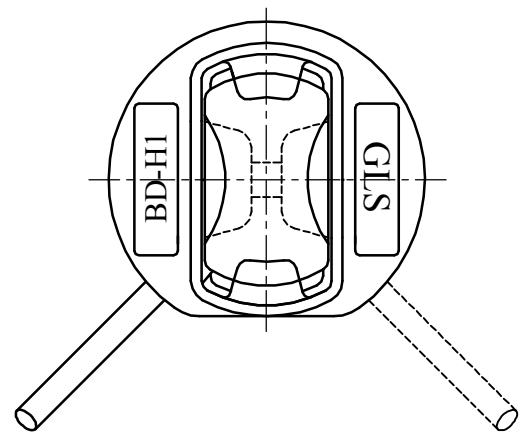


BD-H1/L  
BD-H1/R



Left Locked



Right Locked



**Material:** Heat treatable steel

**Finish:** Hot dip galvanised

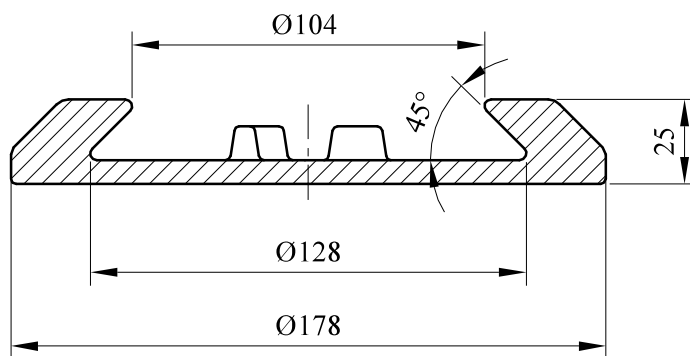
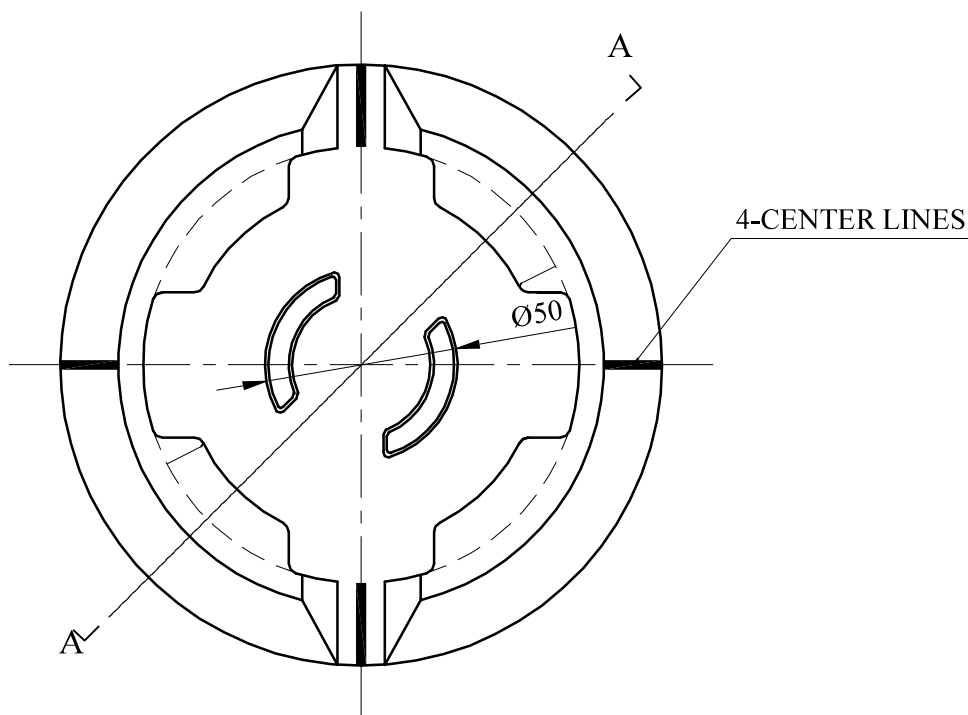
**Weight:** 5.5kg

**M.B.L:** Tension: 500KN

**M.B.L:** Shear: 420KN

**M.B.L:** Compression: 2000KN

AH-A1



A-A



**Material:** Casting steel

**Finish:** Shop primer

**Weight:** 2.8kg

**M.B.L:Tension:** 500KN

**M.B.L:Shear:** 420KN

**M.B.L:Compression:** -